



---

# COTTON CANDY USER MANUAL

---

V1.0d – April 2013

Copyright © 2013 FXI Technologies

## IMPORTANT

---

Cotton Candy and Cstick are registered trademarks of FXI Technologies AS. All other registered trademarks are the property of their respective owners.

FXI Technologies reserves the right to change any of the documentation and product specifications at any time without prior warning.

## FORUMS AND FEEDBACK

---

Any issues or problems with Cotton Candy may be reported at: <http://issues.cstick.com>

For any questions and information about Cotton Candy please visit the Cstick web site:  
<http://www.cstick.com>

TABLE OF CONTENTS

---

---

Important.....	2
Forums and Feedback.....	2
Technical specifications.....	4
Hardware Overview .....	5
Quickstart Guide.....	5
Preparing a microSD card .....	6
Screens & Peripherals.....	8
HDMI Output.....	8
USB Peripherals.....	8
BluetoothH Connectivity .....	9
Wifi Connectivity.....	9

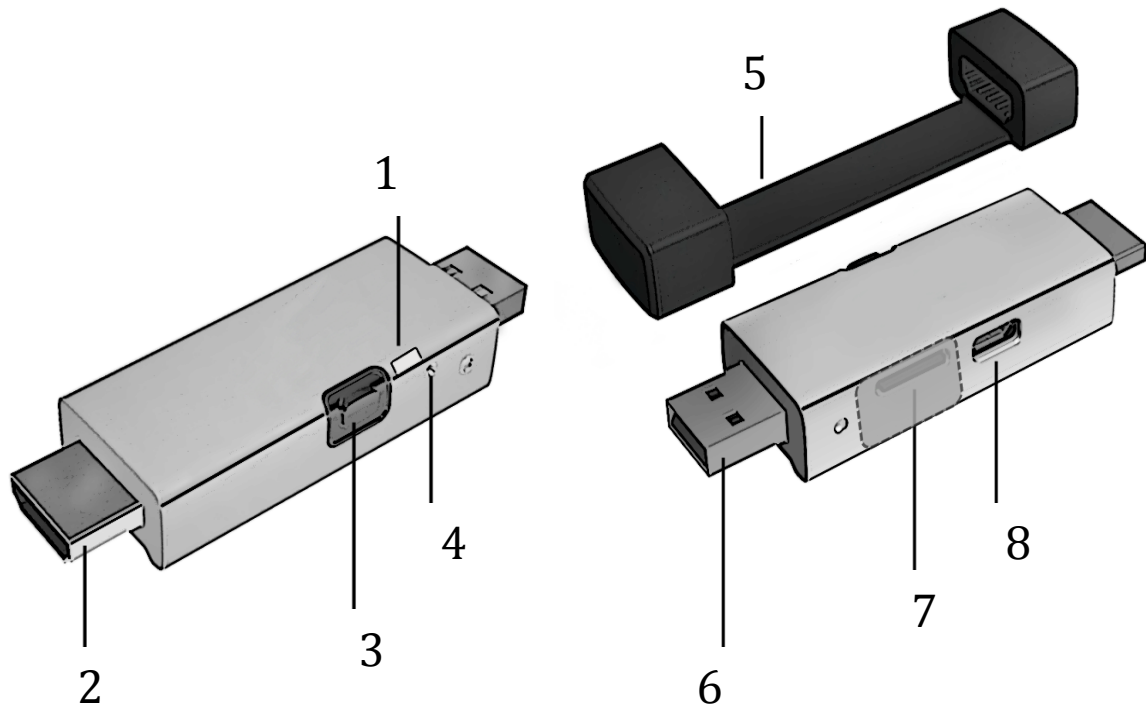
## TECHNICAL SPECIFICATIONS

---

CPU	Dual-core ARM Cortex-A9
Graphics	Quad-core ARM Mail 400MP
Main Memory	1 GB
Display	1080p HD
Storage	Micro SD
Hardware Connectors	USB (male, type A) for power supply and Any Screen computing
	HDMI (male) for audio/video output
	Micro USB (female) for peripherals
Connectivity	Wifi (2.4 Ghz)
	Bluetooth 2.1 + EDR
Dimensions	80mm x 24mm x 12mm

## HARDWARE OVERVIEW

---



1. LEDs (boot, connectivity)

2. HDMI connector

3. Bluetooth quick-connect button

4. Reset button

5. “Double-cap” protective cover

6. USB connector – *Must be connected to power Cotton Candy*

7. MicroSD slot for memory card containing the Cotton Candy OS.

This slot is covered to prevent device malfunction in case of Electrostatic Discharge (“ESD”). Please keep the sticker attached while operating the device. *Not applicable for developer units.*

8. MicroUSB host connector for USB peripherals

## QUICKSTART GUIDE

---

- The MicroSD slot (**7**) must contain a card featuring a valid OS image. See: Preparing a microSD card
- Connect the HDMI connector (**2**) to an HDMI compatible TV/screen.
- Connect any USB peripherals to the micro-USB host port (**8**). This may require a powered USB hub to provide sufficient power for the peripherals.
- Connect the Cotton Candy USB connector (**6**) to a USB port providing power for the device.
- The device will boot up to the default OS and be ready for use.

## PREPARING A MICROSD CARD

---

To start using Cotton Candy it is necessary to prepare a microSD card containing the firmware / OS for the device.

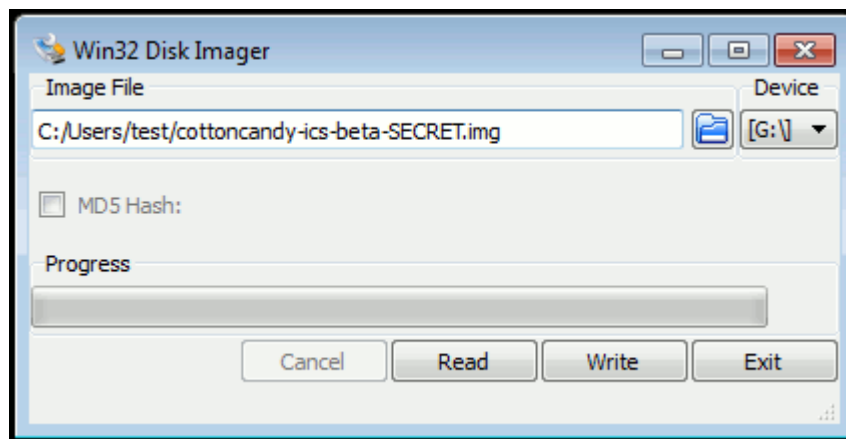
Firmware images for Cotton Candy can be downloaded from: [download.cstick.com](http://download.cstick.com)

You'll need:

- A card reader (writer)
- An OS image from <http://download.cstick.com/> This zip-file should then be unpacked to a suitable directory on your computer (requires at least 8 GB of free storage)
- An 8GB microSD card (included with Cotton Candy)

### On Windows

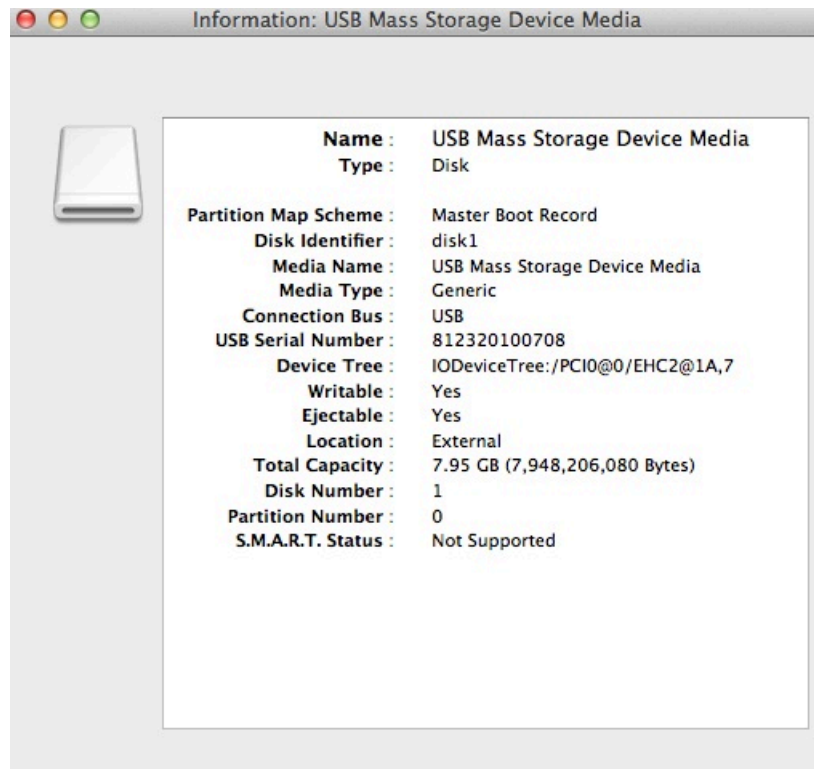
1. Download an Android or Ubuntu image from [download.cstick.com](http://download.cstick.com) and unzip the downloaded file.
2. Download <http://sourceforge.net/projects/win32diskimager/>, then unpack and start the application
3. Insert the microSD card into the card reader and then select the correct card drive in the "**Device**" tab of the Disk Imager ([G:\] in the screenshot below)
4. Select the path to where the downloaded image was unpacked under "**Image File**"
5. Start the image writing by pressing the "**Write**" button. The application will warn you about overwriting the contents of the card; just click "Yes" (as long as you are sure you selected the right card and drive above)
6. Image writing will commence and once it has completed you can remove the microSD card, insert it into Cotton Candy and boot the device.



## On Mac

If you have problems unpacking the .zip archive on Mac you may want to try a 3rd party app such as *The Unarchiver* or *Stuffit Expander*.

1. Download a Android or Ubuntu image from [download.cstick.com](http://download.cstick.com) and unzip the downloaded file.
2. Insert the microSD card into the card reader and check which disk the OS has assigned to it. You can check this by selecting the SD card from the OS menu and clicking the "Info" icon. (In the below screenshot the SD card is "disk1")
3. Open a terminal/shell window and write the OS image using the **dd** commands as follows:  
Enter command: **diskutil unmountDisk /dev/disk1**  
Output on screen is: *Unmount of all volumes on disk1 was successful*  
Enter command: **sudo dd if=Android.img of=/dev/rdisk1 bs=1m**  
The "Android.img" is the file you downloaded from [download.cstick.com](http://download.cstick.com) and unzipped
4. The writing of the image will start and when it has completed (can take up to about an hour) the microSD card can be inserted into Cotton Candy and the device booted.



## On Linux

1. Download an Android or Ubuntu image from [download.cstick.com](http://download.cstick.com) and unzip the downloaded file.
2. Insert the microSD card into the card reader and check which disk the OS has assigned to it. (The approach for checking this may vary, consult your local guru!)
3. Open a terminal/shell window and write the OS image using the **dd** commands as follows:  
**sudo dd if=Android.img of=/dev/ bs=1M**
4. The "Android.img" is the file you downloaded from [download.cstick.com](http://download.cstick.com) and unzipped
5. The writing of the image will start and when it has completed (can take up to about an hour) the microSD card can be inserted into Cotton Candy and the device booted.

For an up-to-date description of this process and more instructions please see: [www.cstick.com](http://www.cstick.com)

---

## SCREENS & PERIPHERALS

---

**Important: The USB male connector of Cotton Candy must be plugged into a USB socket to power the device. Cotton Candy does not draw power from any other peripheral connector.**

---

### HDMI OUTPUT

---

Cotton Candy can be connected to TVs, screens and other A/V equipment through the HDMI connector and supports 720p and 1080p HD resolution. Audio is also provided over HDMI.

---

### USB PERIPHERALS

---

Peripherals such as keyboards, mice, touch panels and other USB devices can be connected through Cotton Candy's micro-USB host port.



*A powered USB hub should be used to connect devices that do not have a dedicated power supply. Cotton Candy will not be able to supply sufficient power for most devices over the micro-USB host port.*

Cotton Candy relies on standard OS functionality for USB peripherals and can be used with any device which is supported by the currently running OS / drivers. This might mean that some devices are only supported under one of the OSes. The best way to check whether a particular USB device is supported is to consult the official documentation for the selected OS, or simply connecting it to see whether it works.

---

## BLUETOOTH CONNECTIVITY

---

Cotton Candy relies on standard OS functionality for Bluetooth connectivity and can be used with any devices, such as keyboards, mice and headsets, that are supported by the currently running OS.

This means that some devices may not be supported under all operating systems.

The best way to check whether a particular Bluetooth device is supported is to consult the official documentation for the device or simply attempt to connect it to see if it works.

---

## WIFI CONNECTIVITY

---

Cotton Candy supports 2.4GHz wireless network connectivity. Network configuration is performed through the standard mechanisms in the currently running OS.