

# Harnessing the Power Of Augmented Reality

Marco António Silva | May 24, 2022







*"If you change the way you see  
the world, you can change the  
world you see"*

Satya Nadella





## ■ MIXED REALITY HELPS SOLVE FOUNDATIONAL BUSINESS PROBLEMS



### **Remote assistance**

Empower employees to work together, even when they're worlds apart.



### **Training & task guidance**

Enhance learning with step-by-step instructions that help employees learn new skills faster.



### **Collaborative visualization**

Visualize room layouts and product designs before building out physical models.

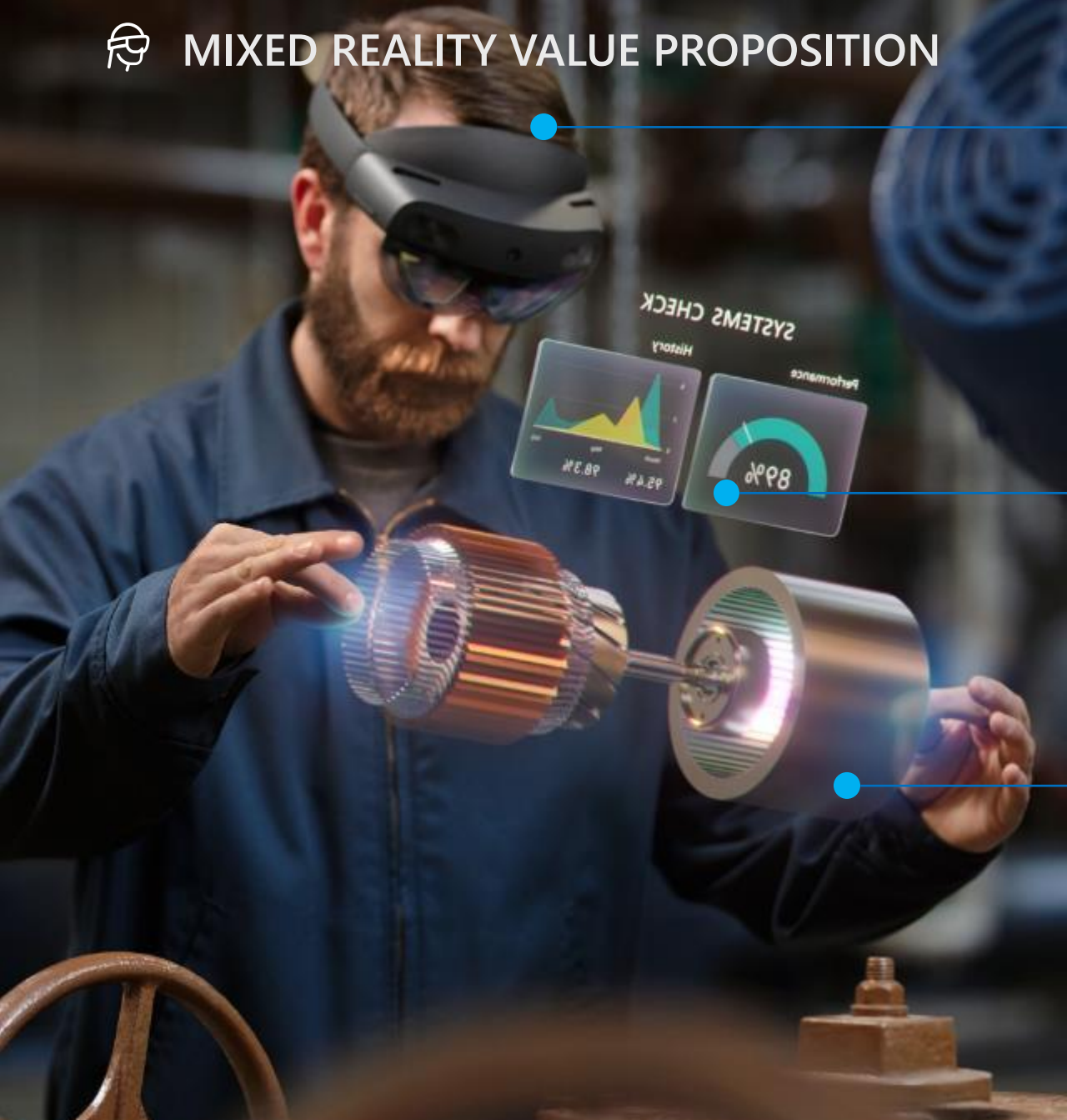


### **Contextual data access**

Gain real-time insight from the working environment to improve operational efficiency.



## MIXED REALITY VALUE PROPOSITION



### **Improved skilling**

4x improvement to service time among employees receiving who receive mixed reality training. 80% of companies improve collaboration across cross-functional teams using mixed reality.

### **Efficiency and quality gains**

25% boost in productivity, plus errors reduced to effectively zero, with directions and data given in mixed reality.

### **Empower First-line Workers**

Bring innovative technology and drive digital transformation across your first-line workers, an audience traditionally underserved by tech.

# THE MIXED REALITY JOURNEY

2010



Kinect for Xbox

2016



HoloLens  
Development Edition

2017



HoloLens  
Commercial Suite

2018



Dynamics 365  
Applications

2019



Mixed Reality  
Portfolio

# HoloLens 2







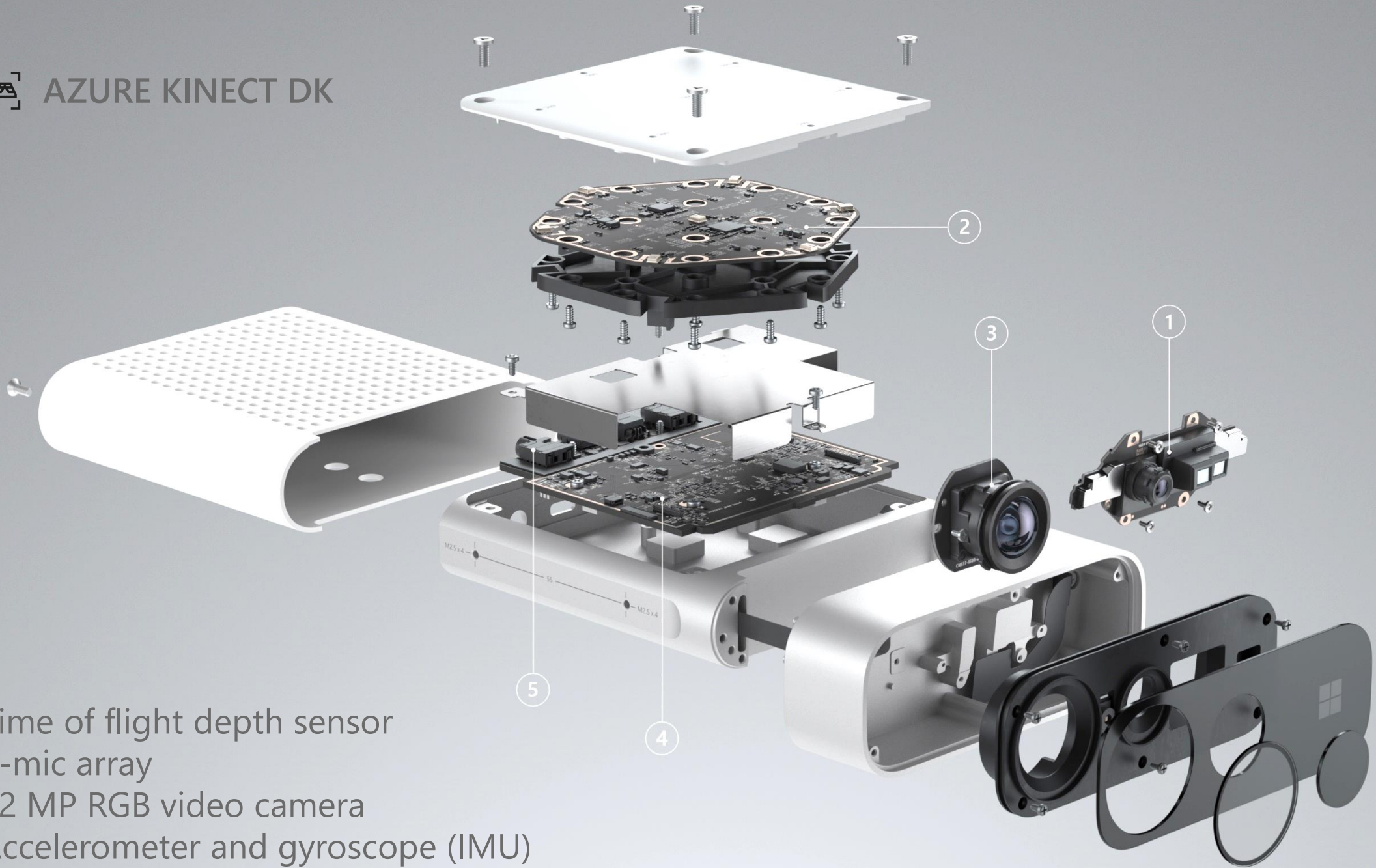


A close-up photograph of a person's hands holding a white Kinect DK sensor bar. The sensor bar is the central focus, showing its front face with a large lens on the left and a smaller circular sensor on the right. The background is blurred, showing the person's torso and arms. A semi-transparent dark grey banner is overlaid on the left side of the image, containing the text 'Kinect DK' in white.

**Kinect DK**



# AZURE KINECT DK

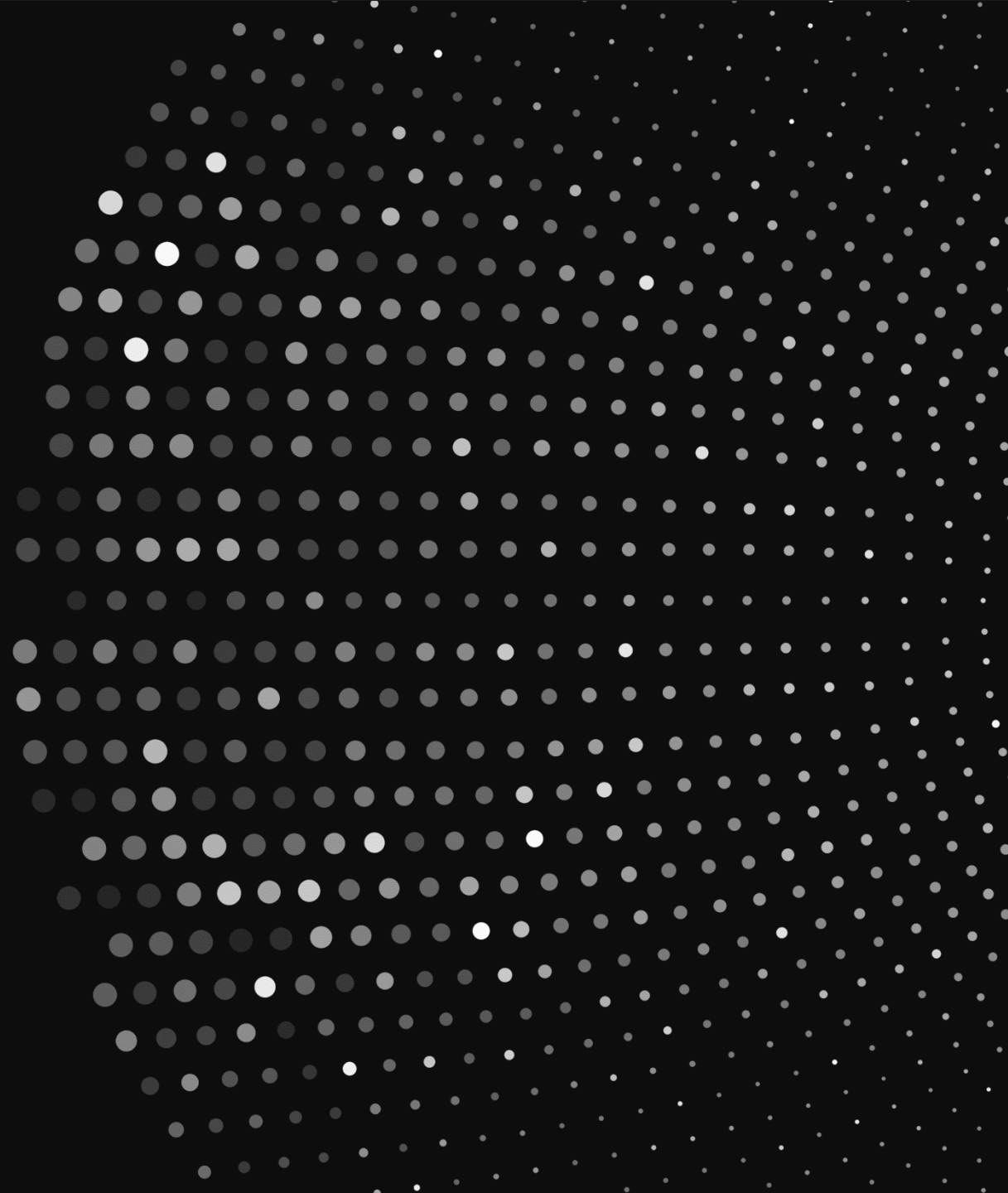


- (1) Time of flight depth sensor
- (2) 7-mic array
- (3) 12 MP RGB video camera
- (4) Accelerometer and gyroscope (IMU)
- (5) External sync pins





# Mixed Reality Services



## ■ MICROSOFT COGNITIVE SERVICES

Infuse your mixed reality apps with human-like intelligence



Vision



Speech



Language



Knowledge



Search

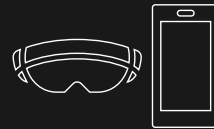
## ■ MICROSOFT AZURE MIXED REALITY SERVICES

Enabling every business and every developer  
to build solutions that are...



### **Contextual**

The world is your app canvas



### **Collaborative**

Multi-user and cross-platform



### **Enterprise ready**

Intelligent and secure

Share and collaborate with  
cross-platform mixed reality





Experience 3D without  
compromise



Model the physical world  
and relationship between  
people, places and devices



# THE MICROSOFT MIXED REALITY STACK

## Mixed Reality Applications



## Azure Cognitive Services



Vision



Speech



Language



Knowledge



Search

## Azure Mixed Reality Services



Azure Digital Twins

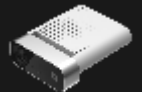


Azure Spatial Anchors



Azure Remote Rendering

## Intelligent Edge Devices



# ■ TOGETHER WE CAN BUILD THE 3RD WAVE OF COMPUTING





Mixed Reality

# Enabling new Reality for Education



# Learning through experience makes a difference

A woman with curly hair and a man are shown from the chest up, both wearing dark-colored augmented reality (AR) headsets. The woman is in the foreground, looking slightly to the left. The man is behind her, looking towards the right. The background is a plain, light-colored wall.

**75%**

Information retention rates when using enhanced reality experiences for learning

*Digital reality headsets in enterprise and education, 2020*

**275%**

Higher confidence levels in students to act upon enhanced learning experiences

*The Effectiveness of Virtual Reality Soft Skills Training in the Enterprise, 2020*

**3.75x**

Greater emotional connections to information being presented through experiences

*The Effectiveness of Virtual Reality Soft Skills Training in the Enterprise, 2020*

# Mixed reality for teaching & learning means

## *Empowerment*



### **Augmented Teaching**

*Convey complex topics with  
interactive 3D models*

## *Inclusivity*



### **Experiential Learning**

*Support visualized-aided learning  
experiences from anywhere*

## *Personalization*



### **Holo Assessments**

*Conduct remote evaluations  
and appraisals*

# Use cases for higher education

## *Augmented Teaching*



50% higher retention rates in 40% less class time.

## *Experiential Learning*



Northeastern University

Decreased upskilling time by 83%

## *Holo Assessments*



OTAGO  
POLYTECHNIC  
Te Kura Matatini ki Otago

100% favorability rating from all student trials



# Market adoption of mixed reality is surging



UC San Diego



Imperial College London



# Most mature MR portfolio in the industry

Unmatched  
application  
ecosystem



Microsoft  
Dynamics® 365



Microsoft  
Mesh App



AltspaceVR

200+ Partner  
Solutions

Most  
comprehensive  
platform



Microsoft Mesh

Powered by Azure

Best-in-class  
devices



HoloLens 2



Virtual Reality



PCs and Mobile

# Most mature MR portfolio in the industry

Unmatched  
application  
ecosystem



Microsoft  
Dynamics® 365



Microsoft  
Mesh App



AltspaceVR

200+ Partner  
Solutions

Most  
comprehensive  
platform



Microsoft Mesh

Powered by Azure

Best-in-class  
devices



HoloLens 2



Virtual Reality



PCs and Mobile



Microsoft Dynamics 365  
Remote Assist

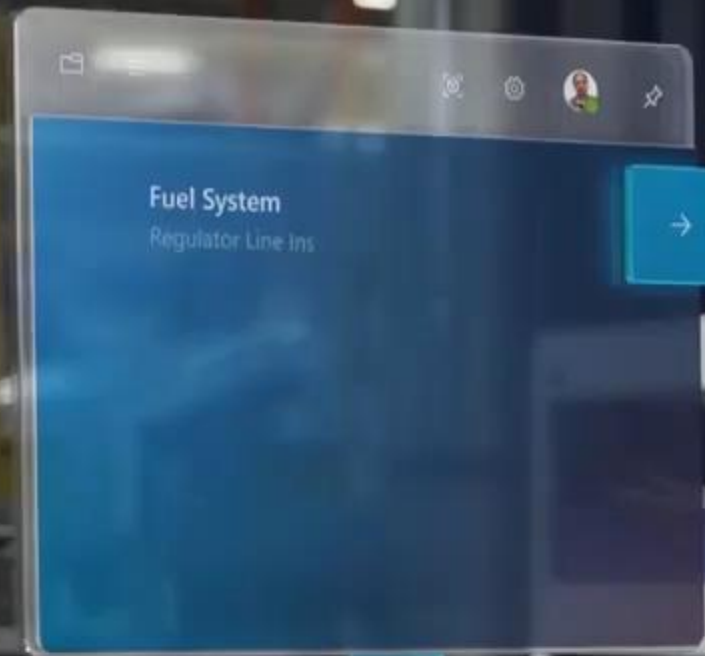
*Real-time problem solving*

*Information in line of sight*

*Be present anywhere*



Dynamics 365  
Guides



*Accelerate processes*

*Reduce errors while ensuring safety*

*Maximize efficiencies with insights*





# Mesh App for HoloLens 2

Connect with colleagues and co-create in real time as you share and annotate content that persists between sessions

# AltspaceVR

Host meetings, town-halls, and work gatherings using AltspaceVR, the premier place for virtual meetups



# Solutions for educational institutions



MEDIVIS

## HOLOANATOMY® SOFTWARE SUITE

A new virtual "Living Anatomy"  
curriculum without physical cadavers

## Vimedix

Accelerated learning platform for  
wide variety of ultrasound trainings

## SurgicalAR

Building a new breed of ultra-precise  
surgeons and better surgical outcomes

ChuJiao

gig<sup>XR</sup>

Enklu

## Tentacle Dynamics

Affordable, low-risk MR teaching  
platform for higher education

## HoloPatient

Engaging medical students to  
better learning outcomes

## Simulated Trainings

Create and distribute knowledge  
in mixed reality at scale

# Most mature MR portfolio in the industry

Unmatched  
application  
ecosystem



Microsoft  
Dynamics® 365



Microsoft  
Mesh App



AltspaceVR

200+ Partner  
Solutions

Most  
comprehensive  
platform



Microsoft Mesh

Powered by Azure

Best-in-class  
devices



HoloLens 2



Virtual Reality



PCs and Mobile



# Microsoft Mesh

Enable presence and shared experiences from anywhere – on any device – through mixed reality apps



Feel presence



Experience together



Connect from anywhere

Mixed Reality

# Higher Education Use Cases





# Augmented Teaching



While instructors benefit from visual aides to reinforce their instruction, they can be limited in their effectiveness by the constraints of physical models or 2D documents.



Mixed reality provides an entirely new palette of instructional experiences for instructors to utilize in making their class times more engaging and actionable for students.

# Augmented Teaching

*A virtual collaboration and instructional experience* using HoloAnatomy for HoloLens 2 empowers teachers with impressionable, high-impact 3D visualization models to captivate students and bring education to life.



Microsoft

HoloLens 2



Interactive Commons  
Case Western Reserve University

HoloAnatomy





Students using the HoloAnatomy solution with HoloLens 2 demonstrated  
**50% higher retention rates with 40% less class time.**



Having just launched a new health education campus, Case Western sought to modernize student engagement in both physical forums and remote instruction scenarios.



Case Western used HoloLens 2 to develop the mixed reality anatomy application HoloAnatomy, which was then distributed to students with the HoloLens for virtual instruction experiences during COVID-19.

# Experiential Learning



From time to equipment, instructors have limited resources to support student lesson plans which can compromise a student's knowledge retention.



Mixed reality enables students to receive in-person-like experience while providing a consistent environment at the point of learning.



# Experiential Learning

*An experience-based lesson plan* using Dynamics 365 Guides for HoloLens 2, allows for students to integrate textbook concepts into their physical environment and take a learn by doing approach allowing for a hands-on, unmediated learning experience.



Microsoft

HoloLens 2



Microsoft Dynamics 365

Guides





Northeastern  
University

Northeastern **decreased upskilling time by 83%**, reducing a 3-hour lesson plan into less than 30-minutes



Northeastern sought to expand its traditional learning model to provide students with more experiential learning to increase knowledge retention.



With Dynamics 365 Guides for HoloLens 2, students learnt faster by applying acquired knowledge in real-world situations leaving instructors more time for feedback and more complex concepts.



# Holo Assessments



Even with the best textbooks and learning apps possible, students were not as well-prepared for practical situations when compared to learning through life-like interactions.



Mixed reality technologies enable students to see, hear, and assess holographic objects to better develop their practical learning and diagnostic skills.

# Holo Assessment

*A virtual patient engagement and diagnostic experience* using HoloPatient for HoloLens 2 combines patient visualization with data overlays to help medical students practice their assessment skills.



Microsoft

HoloLens 2



**gig<sup>XR</sup>** HoloPatient





Reported feedback, across all student test audiences, was a **100% favorability rating** for symptom identification and overall visibility perspective.



Otago Polytechnic School of Nursing sought new learning opportunities for students and new ways of engaging students throughout their learning.



With HoloPatient for HoloLens 2, Otago Polytechnic found that there is tremendous value in providing practical experience that enables students to see ailments and practice assessments before working in clinics.

# Next Steps



## Get started now

*Contact your local Microsoft representative to get started and...*

- ▶ [Connect with a Mixed Reality specialist](#)
- ▶ [Contact mixed reality partners near you](#)
- ▶ [Explore common deployment scenarios](#)



## Continued learnings

*Gain deeper understanding of mixed reality platforms, solutions, and use cases*

- ▶ [Learn more about HoloLens 2](#)
- ▶ [Understand more about Dynamics 365 Remote Assist & Guides](#)
- ▶ [Learn about Microsoft Mesh](#)





Thank you!